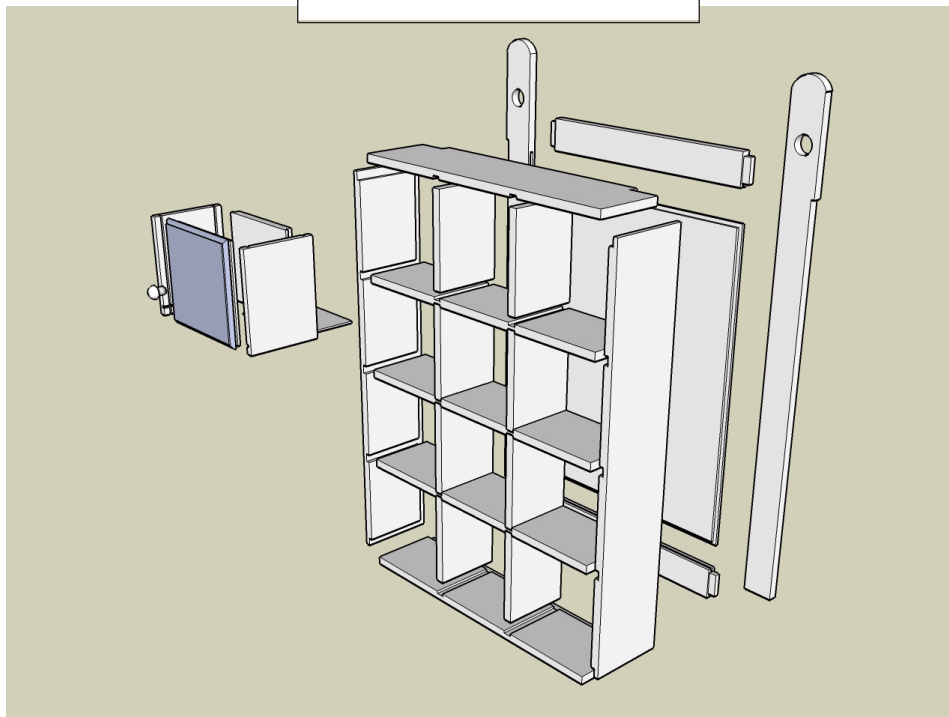
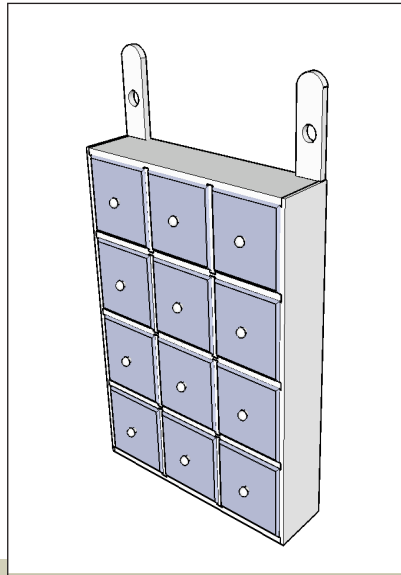


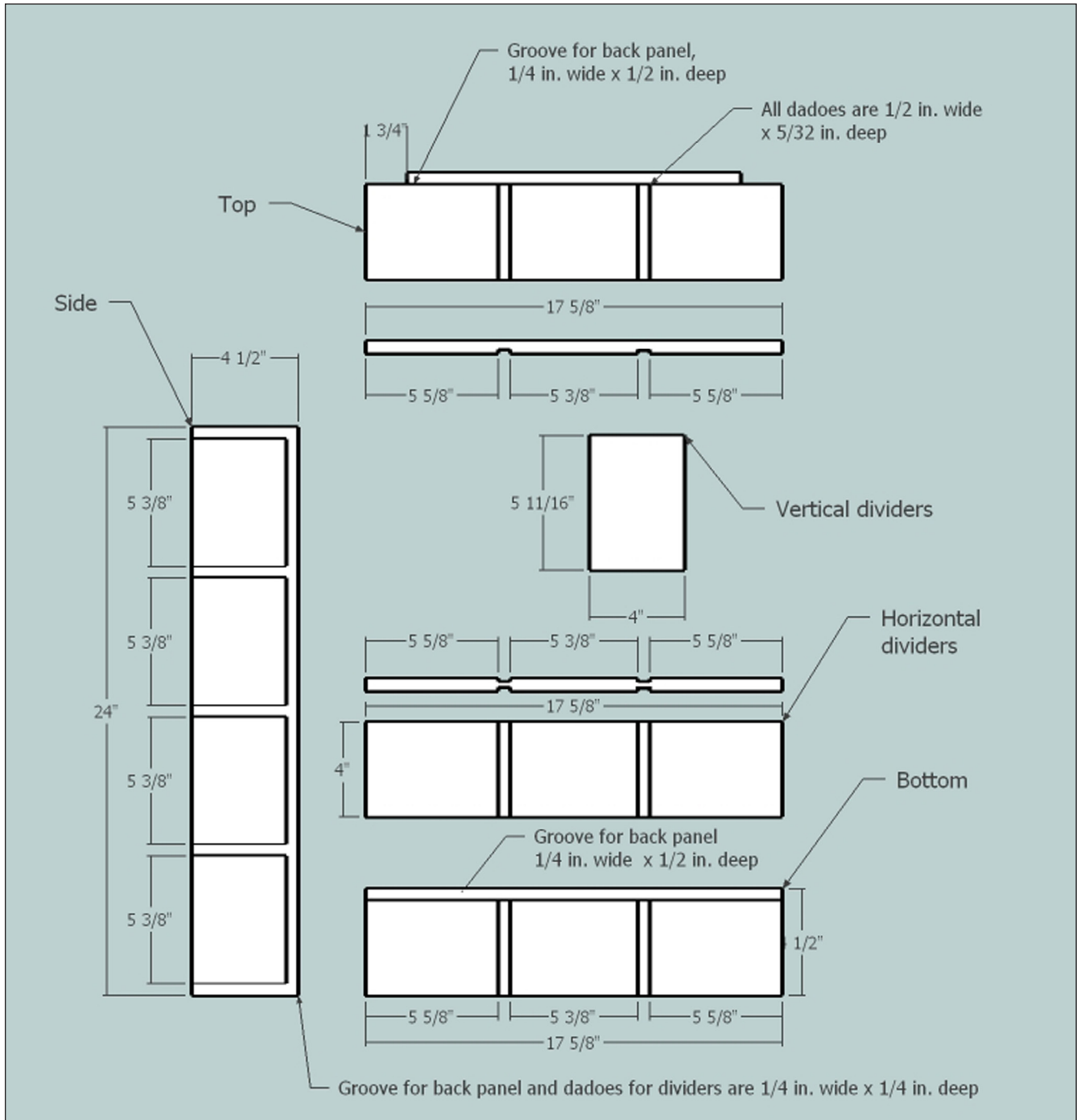
Fine WoodWorking

Measured drawing and cutlist
for 12-drawer Shaker-style
wall cabinet
by Chris Gochnour

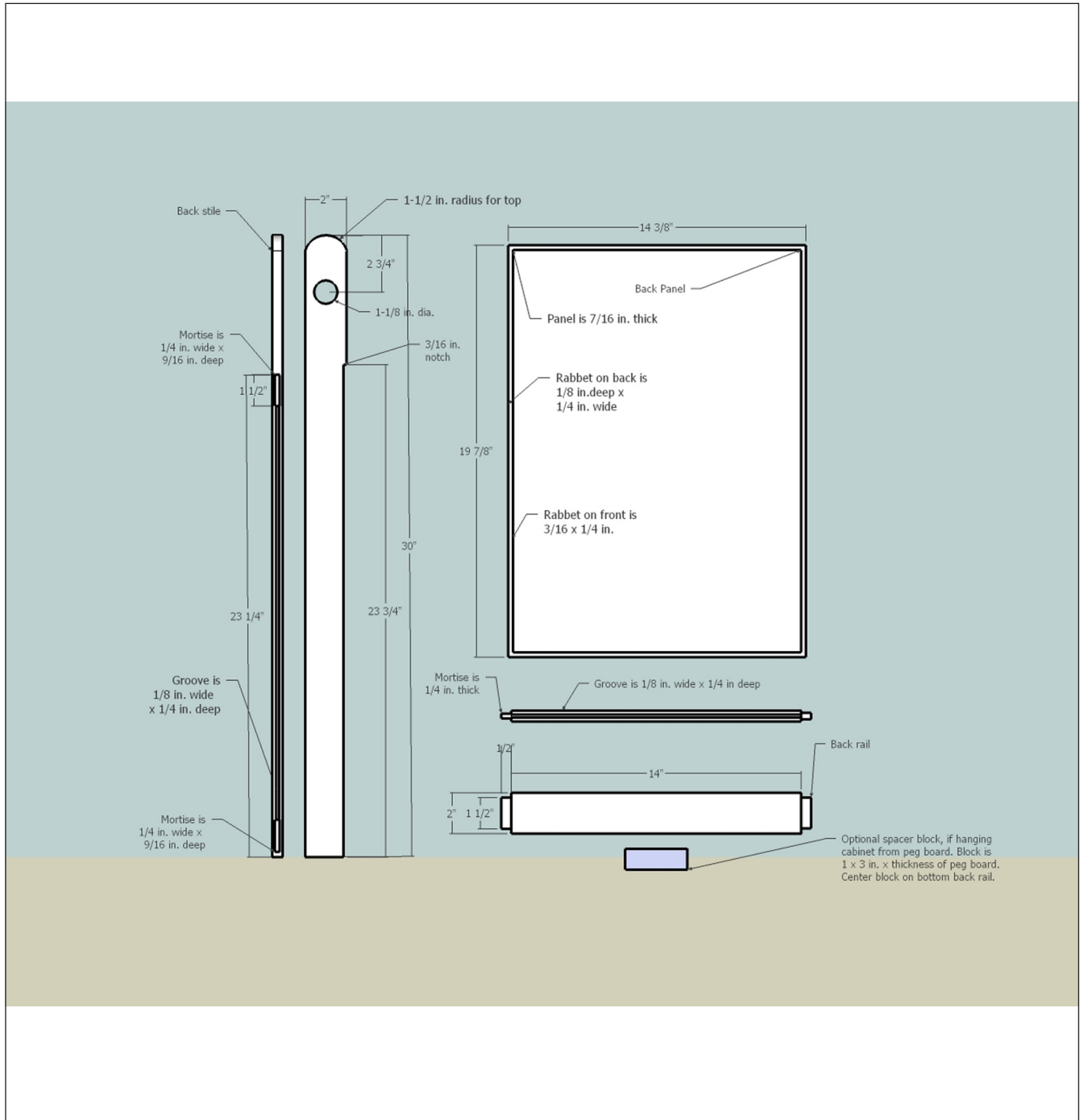
Copyright © 2007 The Taunton Press, Inc.



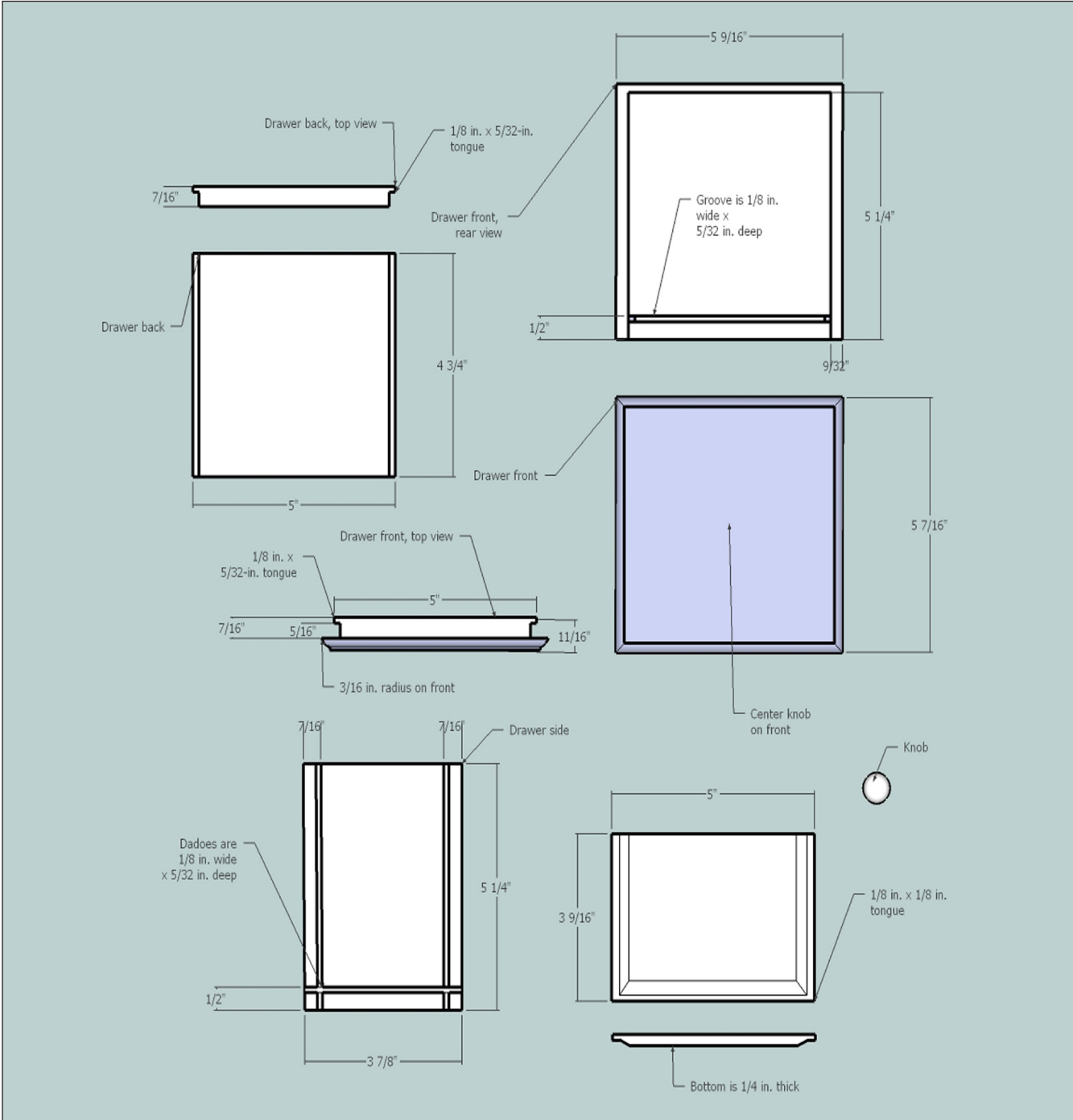
Case Assembly



Back Assembly



Drawer Assembly



Cutlist

Component	Quantity	Dimensions	Material
Case top	1	1/2 x 17-5/8 x 4-1/2	Cherry
Case bottom	1	1/2 x 17-5/8 x 4-1/2	Cherry
Case side	2	1/2 x 24 x 4-1/2	Cherry
Horizontal divider	3	1/2 x 17-5/8 x 4	Cherry
Vertical divider	8	1/2 x 5-11/16 x 4	Cherry
Back panel	1	7/16 x 14-3/8 x 19-7/8	Cherry
Back stile	2	1/2 x 30 x 2	Cherry
Back rail	2	1/2 x 15 x 2	Cherry
Drawer front	12	11/16 x 5-9/16 x 5-7/16	Cherry
Drawer bottom	12	1/4 x 5 x 3-9/16	Poplar
Drawer back	12	7/16 x 5 x 4-3/4	Poplar
Drawer side	24	5/16 x 3-7/8 x 5-1/4	Poplar
Drawer pulls	12	From Whitechapel Ltd. (www.whitechapel-ltd.com)	